

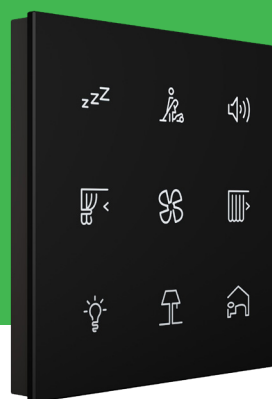
SpaceLogic Glass Touch Panel

Modbus Glass Touch Panel Data Sheet

Elegant and simple guest room control at your fingertips

EcoStruxure™-ready guest room control devices

Schneider Electric offers beautifully designed glass panels with an intuitive touch-screen interface to enable guests to control room temperature, lighting, curtains, services, and more for a best-in-class guest experience



Product at a glance

Our complete line of Glass Touch Panels is highly customizable to reflect each hotel's unique visual aesthetic. These wall-mounted panels are easy to design and configure via an intuitive web tool that allows hotel designers and architects to preview their customized panel prior to ordering. The Glass Touch Panels are available in a variety of glass color and backlight options. Hotels may also include a customized logo on each panel.

With 12 models, 5 backlight colors, 4 glass colors and countless functionality icons to choose from, customization possibilities are endless. Now you can enhance the guest experience with improved comfort and aesthetic appeal, while easily designing and scaling guest-facing room devices to meet brand standards.

The Modbus panels can be directly integrated with other standard Modbus devices in order to offer:

- Temperature control
- Lighting control
- Curtain control
- Courtesy control (do not disturb, make-up room)
- Bell control
- And more

They can also be integrated with our hotel room controller to offer more advanced features, including centralized monitoring and control.

Benefits

- 4 different panel types:
 - Glass touch panels with buttons
 - Glass touch thermostats
 - Glass touch door panels
 - Glass touch keycard holder
- 4 selectable glass colors: black, white, champagne gold and silver (other colors are available upon special request)
- 5 LED backlight colors
- Selectable icons from Schneider Electric hospitality or standard icon sets

Contents

| | |
|------------------------------------------------------------------|----|
| Glass Touch Panels with Buttons | 3 |
| Touch Panel, 2 Buttons | 3 |
| Touch Panel, 3 Buttons | 4 |
| Touch Panel, 4 Buttons | 5 |
| Touch Panel, 6 Buttons | 6 |
| Touch Panel, 9 Buttons | 7 |
| Touch Panel, 10 Buttons | 8 |
| Touch Panel, 12 Buttons | 9 |
| Glass Touch Thermostats | 10 |
| Thermostat, 7 Buttons | 10 |
| Thermostat, 8 Buttons | 11 |
| Glass Touch Door Panels | 12 |
| Door Panel, 1 Button with Room Number | 12 |
| Door Panel, 1 Button with Room Number & Presence Indicator | 13 |
| Glass Touch Keycard Holders | 14 |
| Keycard Holder, 3 Buttons | 14 |

Glass Touch Panels with Buttons

Touch Panel, 2 Buttons

Introduction

A glass touch panel with up to two configurable buttons, available in a variety of glass color and backlight options. Choose from a vast selection of functionality icons for full customization of panels.



Product Specifications

| | | |
|--------------------------------|-----------------------------------------------------------------------------------------|------------------------------------------|
| Part Number | LSSMBU02NS / LSSMBU02NP | LSSMBU02NS_A / LSSMBU02NP_A (USA only) |
| Dimensions (H x W x D) | Default: 95 x 95 x 33mm (including base) Optional: 105 x 105 x 33mm (including base) | Default: 95 x 95 x 33mm (including base) |
| Product Certifications | CE | UL |
| Glass colors | Black, white, silver and champagne gold | |
| Button backlight colors | White, amber, blue, green, red | |
| Button configuration | Up to 2 buttons | |
| Supply voltage | 24V DC | |
| Current consumption | 30mA | |
| RFID frequency | N/A | |
| Temperature sensor | N/A | |
| Comms protocol | Modbus over RS-485 serial interface | |
| Mounting | Snap-in magnetic mounting | |
| Operation temperature | 0 to 45°C / 32 to 132°F | |
| Operation humidity | 10%-95% RH, non-condensing | |
| Storage temperature | 0 to 60°C / 32 to 140°F | |

Product Dimensions

| Default | Optional |
|--------------------|--------------------------------------------------------|
| 95MM x 95MM x 33MM | 105MM x 105MM x 33MM (not available on USA-only model) |
| | |

Touch Panel, 3 Buttons

Introduction

A glass touch panel with up to three configurable buttons, available in a variety of glass color and backlight options. Choose from a vast selection of functionality icons for full customization of panels.



Product Specifications

| | | |
|--------------------------------|-----------------------------------------------------------------------------------------|------------------------------------------|
| Part Number | LSSMBU03NS / LSSMBU03NP | LSSMBU03NS_A / LSSMBU03NP_A (USA Only) |
| Dimensions (H x W x D) | Default: 95 x 95 x 33mm (including base) Optional: 105 x 105 x 33mm (including base) | Default: 95 x 95 x 33mm (including base) |
| Product Certifications | CE | UL |
| Glass colors | Black, white, silver and champagne gold | |
| Button backlight colors | White, amber, blue, green, red | |
| Button configuration | Up to 3 buttons | |
| Supply voltage | 24V DC | |
| Current consumption | 30mA | |
| RFID frequency | N/A | |
| Temperature sensor | N/A | |
| Comms protocol | Modbus over RS-485 serial interface | |
| Mounting | Snap-in magnetic mounting | |
| Operation temperature | 0 to 45°C / 32 to 132°F | |
| Operation humidity | 10%-95% RH, non-condensing | |
| Storage temperature | 0 to 60°C / 32 to 140°F | |

Product Dimensions

| Default | Optional |
|--------------------|--------------------------------------------------------|
| 95MM x 95MM x 33MM | 105MM x 105MM x 33MM (not available on USA-only model) |
| | |

Touch Panel, 4 Buttons

Introduction

A glass touch panel with up to four configurable buttons, available in a variety of glass color and backlight options. Choose from a vast selection of functionality icons for full customization of panels.



Product Specifications

| | | |
|--------------------------------|-----------------------------------------------------------------------------------------|------------------------------------------|
| Part Number | LSSMBU04NS / LSSMBU04NP | LSSMBU04NS_A / LSSMBU04NP_A (USA Only) |
| Dimensions (H x W x D) | Default: 95 x 95 x 33mm (including base) Optional: 105 x 105 x 33mm (including base) | Default: 95 x 95 x 33mm (including base) |
| Product Certifications | CE | UL |
| Glass colors | Black, white, silver and champagne gold | |
| Button backlight colors | White, amber, blue, green, red | |
| Button configuration | Up to 4 buttons | |
| Supply voltage | 24V DC | |
| Current consumption | 30mA | |
| RFID frequency | N/A | |
| Temperature sensor | N/A | |
| Comms protocol | Modbus over RS-485 serial interface | |
| Mounting | Snap-in magnetic mounting | |
| Operation temperature | 0 to 45°C / 32 to 132°F | |
| Operation humidity | 10%-95% RH, non-condensing | |
| Storage temperature | 0 to 60°C / 32 to 140°F | |

Product Dimensions

| Default | Optional |
|--------------------|--------------------------------------------------------|
| 95MM x 95MM x 33MM | 105MM x 105MM x 33MM (not available on USA-only model) |
| | |

Touch Panel, 6 Buttons

Introduction

A glass touch panel with up to six configurable buttons, available in a variety of glass color and backlight options. Choose from a vast selection of functionality icons for full customization of panels.



Product Specifications

| | | |
|--------------------------------|-----------------------------------------------------------------------------------------|------------------------------------------|
| Part Number | LSSMBU06NS / LSSMBU06NP | LSSMBU06NS_A / LSSMBU06NP_A (USA Only) |
| Dimensions (H x W x D) | Default: 95 x 95 x 33mm (including base) Optional: 105 x 105 x 33mm (including base) | Default: 95 x 95 x 33mm (including base) |
| Product Certifications | CE | UL |
| Glass colors | Black, white, silver and champagne gold | |
| Button backlight colors | White, amber, blue, green, red | |
| Button configuration | Up to 6 buttons | |
| Supply voltage | 24V DC | |
| Current consumption | 30mA | |
| RFID frequency | N/A | |
| Temperature sensor | N/A | |
| Comms protocol | Modbus over RS-485 serial interface | |
| Mounting | Snap-in magnetic mounting | |
| Operation temperature | 0 to 45°C / 32 to 132°F | |
| Operation humidity | 10%-95% RH, non-condensing | |
| Storage temperature | 0 to 60°C / 32 to 140°F | |

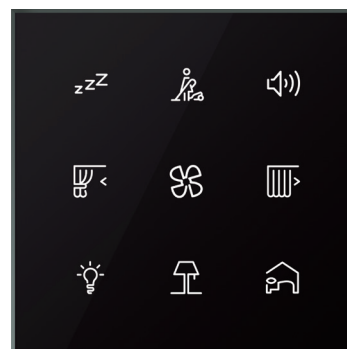
Product Dimensions

| Default | Optional |
|--------------------|--------------------------------------------------------|
| 95MM x 95MM x 33MM | 105MM x 105MM x 33MM (not available on USA-only model) |
| | |

Touch Panel, 9 Buttons

Introduction

A glass touch panel with up to nine configurable buttons, available in a variety of glass color and backlight options. Choose from a vast selection of function icons for full customization of panels.



Product Specifications

| | | |
|--------------------------------|-----------------------------------------------------------------------------------------|------------------------------------------|
| Part Number | LSSMBU09NS / LSSMBU09NP | LSSMBU09NS_A / LSSMBU09NP_A (USA Only) |
| Dimensions (H x W x D) | Default: 95 x 95 x 33mm (including base) Optional: 105 x 105 x 33mm (including base) | Default: 95 x 95 x 33mm (including base) |
| Product Certifications | CE | UL |
| Glass colors | Black, white, silver and champagne gold | |
| Button backlight colors | White, amber, blue, green, red | |
| Button configuration | Up to 9 buttons | |
| Supply voltage | 24V DC | |
| Current consumption | 30mA | |
| RFID frequency | N/A | |
| Temperature sensor | N/A | |
| Comms protocol | Modbus over RS-485 serial interface | |
| Mounting | Snap-in magnetic mounting | |
| Operation temperature | 0 to 45°C / 32 to 132°F | |
| Operation humidity | 10%-95% RH, non-condensing | |
| Storage temperature | 0 to 60°C / 32 to 140°F | |

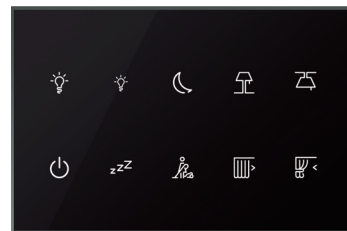
Product Dimensions

| Default | Optional |
|--------------------|--------------------------------------------------------|
| 95MM x 95MM x 33MM | 105MM x 105MM x 33MM (not available on USA-only model) |
| | |

Touch Panel, 10 Buttons

Introduction

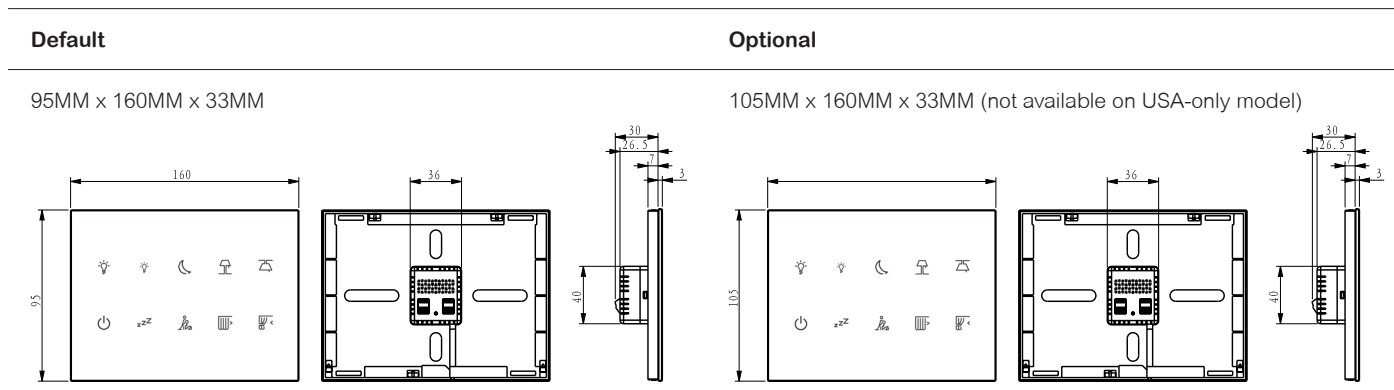
A glass touch panel with up to ten configurable buttons, available in a variety of glass color and backlight options. Choose from a vast selection of functionality icons for full customization of panels.



Product Specifications

| | | |
|--------------------------------|------------------------------------------------------------------------------------------|-------------------------------------------|
| Part Number | LSSMBU10NS / LSSMBU10NP | LSSMBU10NS_A / LSSMBU10NP_A (USA Only) |
| Dimensions (H x W x D) | Default: 95 x 160 x 33mm (including base) Optional: 105 x 160 x 33mm (including base) | Default: 95 x 160 x 33mm (including base) |
| Product Certifications | CE | UL |
| Glass colors | Black, white, silver and champagne gold | |
| Button backlight colors | White, amber, blue, green, red | |
| Button configuration | Up to 10 buttons | |
| Supply voltage | 24V DC | |
| Current consumption | 30mA | |
| RFID frequency | N/A | |
| Temperature sensor | N/A | |
| Comms protocol | Modbus over RS-485 serial interface | |
| Mounting | Snap-in magnetic mounting | |
| Operation temperature | 0 to 45°C / 32 to 132°F | |
| Operation humidity | 10%-95% RH, non-condensing | |
| Storage temperature | 0 to 60°C / 32 to 140°F | |

Product Dimensions



Touch Panel, 12 Buttons

Introduction

A glass touch panel with up to twelve configurable buttons, available in a variety of glass color and backlight options. Choose from a vast selection of functionality icons for full customization of panels.



Product Specifications

| | | |
|--------------------------------|-----------------------------------------------------------------------------------------|------------------------------------------|
| Part Number | LSSMBU12NS / LSSMBU12NP | LSSMBU12NS_A / LSSMBU12NP_A (USA Only) |
| Dimensions (H x W x D) | Default: 95 x 95 x 33mm (including base) Optional: 105 x 105 x 33mm (including base) | Default: 95 x 95 x 33mm (including base) |
| Product Certifications | CE | UL |
| Glass colors | Black, white, silver and champagne gold | |
| Button backlight colors | White, amber, blue, green, red | |
| Button configuration | Up to 12 buttons | |
| Supply voltage | 24V DC | |
| Current consumption | 30mA | |
| RFID frequency | N/A | |
| Temperature sensor | N/A | |
| Comms protocol | Modbus over RS-485 serial interface | |
| Mounting | Snap-in magnetic mounting | |
| Operation temperature | 0 to 45°C / 32 to 132°F | |
| Operation humidity | 10%-95% RH, non-condensing | |
| Storage temperature | 0 to 60°C / 32 to 140°F | |

Product Dimensions

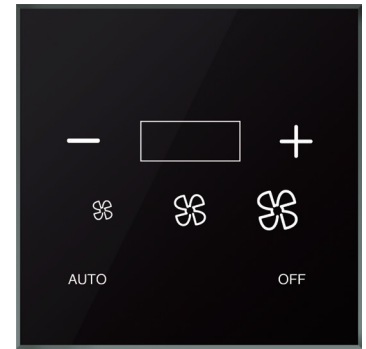
| Default | Optional |
|--------------------|--------------------------------------------------------|
| 95MM x 95MM x 33MM | 105MM x 105MM x 33MM (not available on USA-only model) |
| | |

Glass Touch Thermostats

Thermostat, 7 Buttons

Introduction

A glass touch thermostat with 4 default icons (“-”, “+”, “AUTO” and “OFF”), as well as 3 configurable buttons in the middle. It is available in a variety of glass color and backlight options. Choose from a vast selection of function icons for full customization of panels.



Product Specifications

| | | |
|--------------------------------|-----------------------------------------------------------------------------------------|------------------------------------------|
| Part Number | LSSMTH07NS / LSSMTH07NP | LSSMTH07NS_A / LSSMTH07NP_A (USA Only) |
| Dimensions (H x W x D) | Default: 95 x 95 x 33mm (including base) Optional: 105 x 105 x 33mm (including base) | Default: 95 x 95 x 33mm (including base) |
| Product Certifications | CE | UL |
| Glass colors | Black, white, silver and champagne gold | |
| Button backlight colors | White, amber, blue, green, red | |
| Button configuration | Up to 7 buttons | |
| Supply voltage | 24V DC | |
| Current consumption | 30mA | |
| RFID frequency | N/A | |
| Temperature sensor | NTC $\pm 0.5^{\circ}\text{C}$ / 0.9°F | |
| Comms protocol | Modbus over RS-485 serial interface | |
| Mounting | Snap-in magnetic mounting | |
| Operation temperature | 0 to 45°C / 32 to 132°F | |
| Operation humidity | 10%-95% RH, non-condensing | |
| Storage temperature | 0 to 60°C / 32 to 140°F | |

Product Dimensions

| Default | Optional |
|--------------------|--------------------------------------------------------|
| 95MM x 95MM x 33MM | 105MM x 105MM x 33MM (not available on USA-only model) |
| | |

Thermostat, 8 Buttons

Introduction

A glass touch thermostat with 2 default icons (“-” and “+”), as well as 6 configurable buttons in the middle. It is available in a variety of glass color and backlight options. Choose from a vast selection of functionality icons for full customization of panels.



Product Specifications

| | | |
|--------------------------------|------------------------------------------------------------------------------------------|-------------------------------------------|
| Part Number | LSSMTH08NS / LSSMTH08NP | LSSMTH08NS_A / LSSMTH08NP_A (USA Only) |
| Dimensions (H x W x D) | Default: 95 x 160 x 33mm (including base) Optional: 105 x 160 x 33mm (including base) | Default: 95 x 160 x 33mm (including base) |
| Product Certifications | CE | UL |
| Glass colors | Black, white, silver and champagne gold | |
| Button backlight colors | White, amber, blue, green, red | |
| Button configuration | Up to 8 buttons | |
| Supply voltage | 24V DC | |
| Current consumption | 30mA | |
| RFID frequency | N/A | |
| Temperature sensor | NTC ± 0.5°C / 0.9°F | |
| Comms protocol | Modbus over RS-485 serial interface | |
| Mounting | Snap-in magnetic mounting | |
| Operation temperature | 0 to 45°C / 32 to 132°F | |
| Operation humidity | 10%-95% RH, non-condensing | |
| Storage temperature | 0 to 60°C / 32 to 140°F | |

Product Dimensions

| Default | Optional |
|---------------------|--------------------------------------------------------|
| 95MM x 160MM x 33MM | 105MM x 160MM x 33MM (not available on USA-only model) |
| | |

Glass Touch Door Panels

Door Panel, 1 Button with Room Number

Introduction

A glass touch door panel with silk-screened room numbers, two indicators and one configurable button. It is available in a variety of glass color and backlight options. Choose from a vast selection of functionality icons for full customization of panels.



Product Specifications

| | | |
|--------------------------------|-----------------------------------------------------------------------------------------|------------------------------------------|
| Part Number | LSSMDN01NS / LSSMDN01NP | LSSMDN01NS_A / LSSMDN01NP_A (USA Only) |
| Dimensions (H x W x D) | Default: 95 x 95 x 33mm (including base) Optional: 105 x 105 x 33mm (including base) | Default: 95 x 95 x 33mm (including base) |
| Product Certifications | CE | UL |
| Glass colors | Black, white, silver and champagne gold | |
| Button backlight colors | White, amber, blue, green, red | |
| Button configuration | 1 button, 2 indicators and 1 room number | |
| Supply voltage | 24V DC | |
| Current consumption | 30mA | |
| RFID frequency | N/A | |
| Temperature sensor | N/A | |
| Comms protocol | Modbus over RS-485 serial interface | |
| Mounting | Snap-in magnetic mounting | |
| Operation temperature | 0 to 45°C / 32 to 132°F | |
| Operation humidity | 10%-95% RH, non-condensing | |
| Storage temperature | 0 to 60°C / 32 to 140°F | |

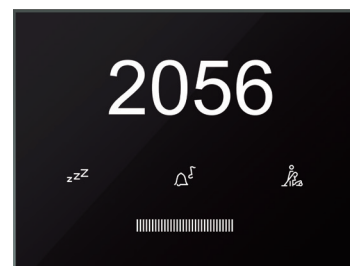
Product Dimensions

| Default | Optional |
|--------------------|--------------------------------------------------------|
| 95MM x 95MM x 33MM | 105MM x 105MM x 33MM (not available on USA-only model) |
| | |

Door Panel, 1 Button with Room Number & Presence Indicator

Introduction

A glass touch door panel with silk-screened room numbers, three indicators and one configurable button, available in a variety of glass color and backlight options. Choose from a vast selection of functionality icons for full customization of panels.



Product Specifications

| | | |
|--------------------------------|----------------------------------------------------------------|--------------------------------------------|
| Part Number | LSSMDP01NS / LSSMDP01NP | LSSMDP01NS_A / LSSMDP01NP_A (USA Only) |
| Dimensions (H x W x D) | Default: 120 x 160 x 33mm (including base) Optional: N/A | Default: 120 x 160 x 33mm (including base) |
| Product Certifications | CE | UL |
| Glass colors | Black, white, silver and champagne gold | |
| Button backlight colors | White, amber, blue, green, red | |
| Button configuration | 1 button, 2 indicators, 1 presence indicator and 1 room number | |
| Supply voltage | 24V DC | |
| Current consumption | 30mA | |
| RFID frequency | N/A | |
| Temperature sensor | N/A | |
| Comms protocol | Modbus over RS-485 serial interface | |
| Mounting | Snap-in magnetic mounting | |
| Operation temperature | 0 to 45°C / 32 to 132°F | |
| Operation humidity | 10%-95% RH, non-condensing | |
| Storage temperature | 0 to 60°C / 32 to 140°F | |

Product Dimensions

| Default | Optional |
|----------------------|----------|
| 120MM x 160MM x 33MM | N/A |
| | |

Glass Touch Keycard Holders

Keycard Holder, 3 Buttons

Introduction

A glass touch keycard holder with up to three configurable buttons, available in a variety of glass color and backlight options. Choose from a vast selection of functionality icons for full customization of panels.



Product Specifications

| | | |
|--------------------------------|-----------------------------------------------------------------------------------------|------------------------------------------|
| Part Number | LSSMKH03NS / LSSMKH03NP | LSSMKH03NS_A / LSSMKH03NP_A (USA Only) |
| Dimensions (H x W x D) | Default: 95 x 95 x 33mm (including base) Optional: 105 x 105 x 33mm (including base) | Default: 95 x 95 x 33mm (including base) |
| Product Certifications | CE | UL |
| Glass colors | Black, white, silver and champagne gold | |
| Button backlight colors | White, amber, blue, green, red | |
| Button configuration | Up to 3 buttons | |
| Supply voltage | 24V DC | |
| Current consumption | 30mA | |
| RFID frequency | N/A | |
| Temperature sensor | N/A | |
| Comms protocol | Modbus over RS-485 serial interface | |
| Mounting | Snap-in magnetic mounting | |
| Operation temperature | 0 to 45°C / 32 to 132°F | |
| Operation humidity | 10%-95% RH, non-condensing | |
| Storage temperature | 0 to 60°C / 32 to 140°F | |

Product Dimensions

| Default | Optional |
|--------------------|--------------------------------------------------------|
| 95MM x 95MM x 33MM | 105MM x 105MM x 33MM (not available on USA-only model) |
| | |